

## Product Datasheet

# 12-port Full Gigabit Industrial Ethernet Switch (GWS-IPS3128F)



## Overview

The GWS-IPS3128F is a full gigabit industrial Ethernet fiber switch. It is designed to meet industrial fields and systems and can operate stably for a long time in harsh environments. It has 10\*10/100/1000M adaptive RJ45 ports and 2\*1000M SFP fiber slot ports, Each port can support full line-rate forwarding.

GWS-IPS3128F industrial Ethernet switch has excellent industrial field environment adaptability (including mechanical stability, climate adaptability, electromagnetic environment adaptability, etc.), protection level up to IP30, support for dual redundant power supply, low power consumption and no fan Cooling technology, MTBF average trouble-free working time up to 35 years, long 5-year warranty, non-management models, plug and play, no configuration, easy to use. It is suitable for industrial scenes such as intelligent transportation, rail transit, electric power, mining, metallurgy and green energy construction to form a cost-effective and stable communication network.

Unmanaged model, plug and play, no configuration, easy to use.

## Feature

### ■ Gigabit Ethernet port access, uplink gigabit dual SFP port

- ◇ Uplink gigabit dual fiber ports, easy to achieve high bandwidth and long-distance transmission.
- ◇ Dual SFP fiber ports can cascade, chain, compatible with SFP module connection.

### ■ Stable and reliable

- ◇ Low power consumption, fan-less design, aluminum shell.
- ◇ Self-developed power supply, high redundancy design, providing a long term and stable PoE power output.
- ◇ CCC, CE, FCC, RoHS.
- ◇ The user-friendly panel, it can show the device status through the LED indicator of PWR, Link, L/A

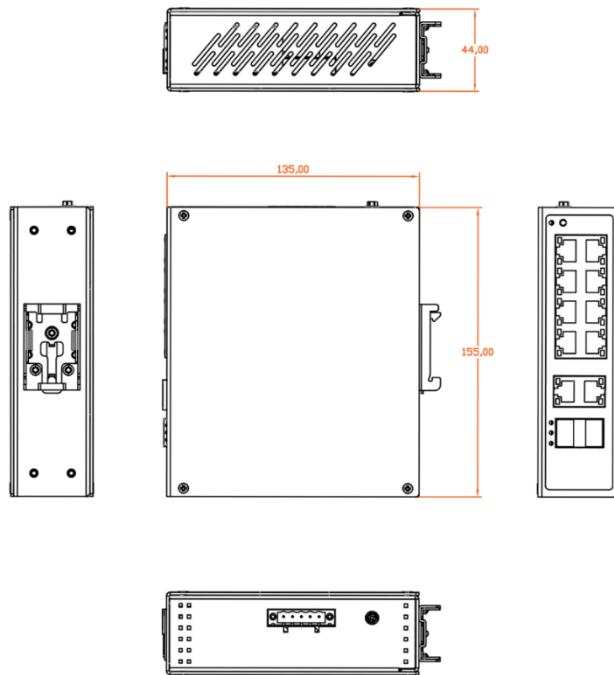
## Technical Specification

Model	GWS-IPS3108F	GWS-IPS3128F
<b>Interface Characteristics</b>		
Fixed Port	8*10/100/1000Base-T RJ45 ports (Data) 2*1000Base-X uplink SFP fiber slot ports (Data) 2 sets of V+, V- redundant DC power interface (5P Phoenix terminal)	10*10/100/1000Base-T RJ45 ports (Data) 2*1000Base-X uplink SFP fiber slot ports (Data) 2 sets of V+, V- redundant DC power interface (5P Phoenix terminal)
Twisted Pair Transmission	10BASE-T: Cat3,4,5 UTP(≤100 meter) 100BASE-TX: Cat5 or later UTP(≤100 meter) 1000BASE-T: Cat5e or later UTP(≤100 meter)	
Ethernet Port	Port 1-8 support 10/100/1000Base-T(X) auto-sensing,	Port 1-10 support 10/100/1000Base-T(X) auto-sensing,

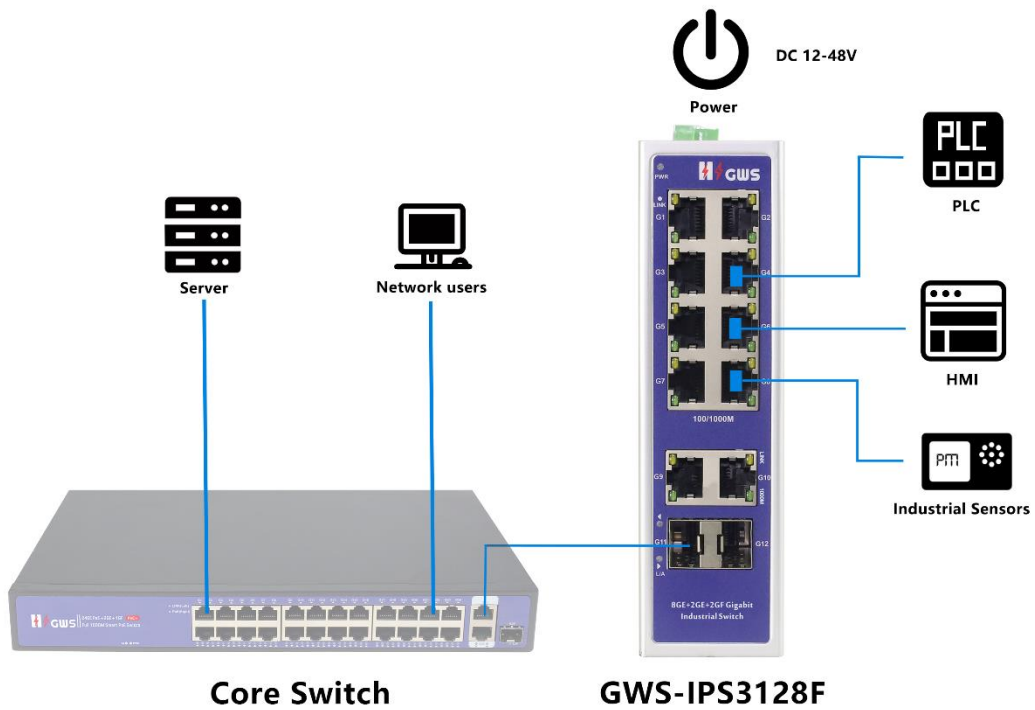
	full/half duplex MDI/MDI-X self-adaption	full/half duplex MDI/MDI-X self-adaption
SFP Slot Port	Gigabit SFP optical fiber interface, default not matching optical modules (optional order single-mode / multi-mode, single fiber / dual fiber optical module. LC)	
Optical Cable/ Distance	Multi mode: 850nm 0~500M , single mode: 1310nm 0~40KM,1550nm / 0-120KM.	
<b>Chip Parameter</b>		
Network Protocol	IEEE802.3 10BASE-T, IEEE802.3i 10Base-T IEEE802.3u 100Base-TX , IEEE802.3ab 1000Base-T IEEE802.3z 1000Base-X IEEE802.3x	
Forwarding Mode	Store and Forward(Full Wire Speed)	
Switching Capacity	20Gbps	24Gbps
Forwarding Rate@64byte	14.88Mpps	17.86Mpps
MAC	8K	
Buffer Memory	4Mb	
Jumbo Frame	9.2KB	
LED Indicator	Power: PWR (green);Network :Link G1-G10 (yellow);Fiber PortL/A Fiber Port:L/A G11-G12(green)	
<b>Power</b>		
Power Consumption	Standby<8W, Full load<15W	
Working Voltage	12-48VDC; 5 Pin industrial Phoenix terminal, support anti-reverse protection.	
Power Supply	No, optional 24V/24W industrial power supply	
<b>Physical Parameter</b>		
Operation TEMP / Humidity	-40~+75°C;5%~90% RH Non condensing	

Storage TEMP / Humidity	-40~+85°C;5%~95% RH Non condensing	
Dimension (L*W*H)	155*135*44mm	
Net /Gross Weight	<0.55kg / <0.7kg	<0.6kg / <0.75kg
Installation	Desktop, DIN rail	
<b>Certification &amp; Warranty</b>		
Lightning protection / protection level	<p>Lightning protection: 6KV 8/20us; Protection level: IP30</p> <p>IEC61000-4-2(ESD):±8kV contact discharge,±15kV air discharge</p> <p>IEC61000-4-3(RS):10V/m(80~1000MHz)</p> <p>IEC61000-4-4(EFT): power cable:±4kV; data cable:±2kV</p> <p>IEC61000-4-5(Surge):power cable:CM±4kV/DM±2kV; data cable:±4kV</p> <p>IEC61000-4-6(radio frequency transmission):10V(150kHz~80MHz)</p> <p>IEC61000-4-8(power frequency magnetic field):100A/m;1000A/m ,1s to 3s</p> <p>IEC61000-4-9(pulsed magnet field):1000A/m</p> <p>IEC61000-4-10(damped oscillation):30A/m 1MHz</p> <p>IEC61000-4-12/18(shockwave):CM 2.5kV,DM 1kV</p> <p>IEC61000-4-16(common-mode transmission):30V; 300V,1s</p> <p>FCC Part 15/CISPR22(EN55022):Class A</p> <p>IEC61000-6-2(Common Industrial Standard)</p>	
Mechanical Properties	<p>IEC60068-2-6 (anti vibration), IEC60068-2-27 (anti shock)</p> <p>IEC60068-2-32 (free fall)</p>	
Certification	<p>CCC;CE mark, commercial; CE/LVD EN62368-1;FCC Part 15 Class B;</p> <p>RoHS;</p>	
Warranty	5 years, lifelong maintenance.	

## Dimension



## Application



## Ordering Information

Model	Description	Recommended Power Supply
GWS-IPS3108F	Unmanaged industrial Ethernet fiber switch with 8*10/100/100M RJ45 ports and 2*1000M uplink SFP slot ports. It can support DC dual redundant power input and DIN rail mounting.	24W
GWS-IPS3128F	Unmanaged industrial Ethernet fiber switch with 10*10/100/100M RJ45 ports and 2*1000M uplink SFP slot ports. It can support DC dual redundant power input and DIN rail mounting.	24W

**Note:** Industrial Ethernet switch does not match the SFP optical module and power supply.

## Packing List

	CONTENT	QTY	UNIT
PACKING LIST	12-port full gigabit industrial Ethernet switch	1	SET
	User Guide	1	PC
	Warranty Card	1	PC

## Optical Module Information

Product	Model	Description	Unit
1.25G Optical Module	2630-G	Industrial SFP optical module, 1.25G, multi-mode dual fiber 850nm, transmission distance: 550m, LC interface, support DDM function, support hot plug and pull.	PC

	2632-G	Industrial SFP optical module, 1.25G, single-mode dual fiber 1310nm, transmission distance: 20km, LC interface, support DDM function, support hot plug and pull.	PC
	2612-T-G	Industrial SFP optical module, 1.25G, single-mode single fiber TX1310nm/RX1550nm, transmission distance: 20km, LC interface, support DDM function, support hot plug and pull.	PC
	2613-R-G	Industrial SFP optical module, 1.25G, single-mode single fiber TX1550nm/RX1310nm, transmission distance: 20km, LC interface, support DDM function, support hot plug and pull.	PC
	2612-T-G-SC	Industrial SFP optical module, 1.25G, single-mode single fiber TX1310nm/RX1550nm, transmission distance: 20km, SC interface, support DDM function, support hot plug and pull.	PC
	2613-R-G-SC	Industrial SFP optical module, 1.25G, single-mode single fiber TX1550nm/RX1310nm, transmission distance: 20km, SC interface, support DDM function, support hot plug and pull.	PC
Power Module	2633	1.25G SFP optical module transfers to 10/100/1000M RJ45 port.	PC

## Power Supply

Product	Model	Description	Unit
24W DIN Rail Industrial Power Supply	DP24-24	Din Rail type 24W single set of output power supply; Input Voltage:AC 100V~240V 50-60Hz, 0.35A Output Voltage:DC 24V 1A Operation Temperature:-40°C—+70°C	PC

## Contact Us



Tel: 0086-755-33376606

Fax: 0086-755-33376608

WeChat: HZGWS-PoE

Email: [hzgws@hgzws.com](mailto:hzgws@hgzws.com)

Skype: [hzgws@hgzws.com](https://www.skype.com/people/hzgws@hgzws.com)

Website: [www.hzgws.com](http://www.hzgws.com)



Address: Building 3, Phase II, Xinghe Artificial Intelligence Industrial Park, No.333 Zhongkai 6th Road, Chenjiang Street, Zhongkai High-tech Zone, Huizhou