

## Product Datasheet

# 5-port 10/100M Industrial PoE Fiber Switch

(GWS-IPS1004PF)



## Overview

The GWS-IPS1004PF series is a 10/100M industrial PoE fiber switch. It has 4\*10/100M PoE ports and 1\*155M SC slot port, Port 1-4 can support IEEE 802.3af/at PoE standard, single port PoE power up to 30W, As a PoE power supply device, it can automatically detect and recognize the power receiving equipment that meets the standard and supply power through the network cable. It can supply power to POE terminal equipment such as wireless AP, web camera, VoIP phone, industrial sensor through network cable, and meet the network environment that needs high-density PoE power supply. It is suitable for intelligent transportation, rail transit, electric power, mining, metallurgy and green energy. Industrial scenes such as construction set up a cost-effective and stable communication network.

Unmanaged model, plug and play, no configuration, easy to use.

## Feature

### ■ 10/100M TP/SC port, fast Ethernet

- ◇ All series supports "10/100M RJ45 port and 155M SC fiber port" combination, which enables users to flexibly build networking to meet the needs of various scenarios.
- ◇ Support non-blocking wire speed forwarding
- ◇ Support full duplex based on IEEE802.3x and half duplex based on Backpressure

### ■ Smart PoE power supply function

- ◇ 4\*10/100Base-TX RJ45 ports, meeting the needs of security monitoring, teleconferencing system, wireless coverage, and other scenarios.
- ◇ IEEE 802.3af/at PoE standard, without damaging non-PoE devices.

### ■ Stable and reliable

- ◇ Low power consumption, no fan low noise design, aluminum shell.
- ◇ CCC,CE, FCC, RoHS.
- ◇ The user-friendly panel, it can show the device status through the LED indicator of PWR, Link, PoE.

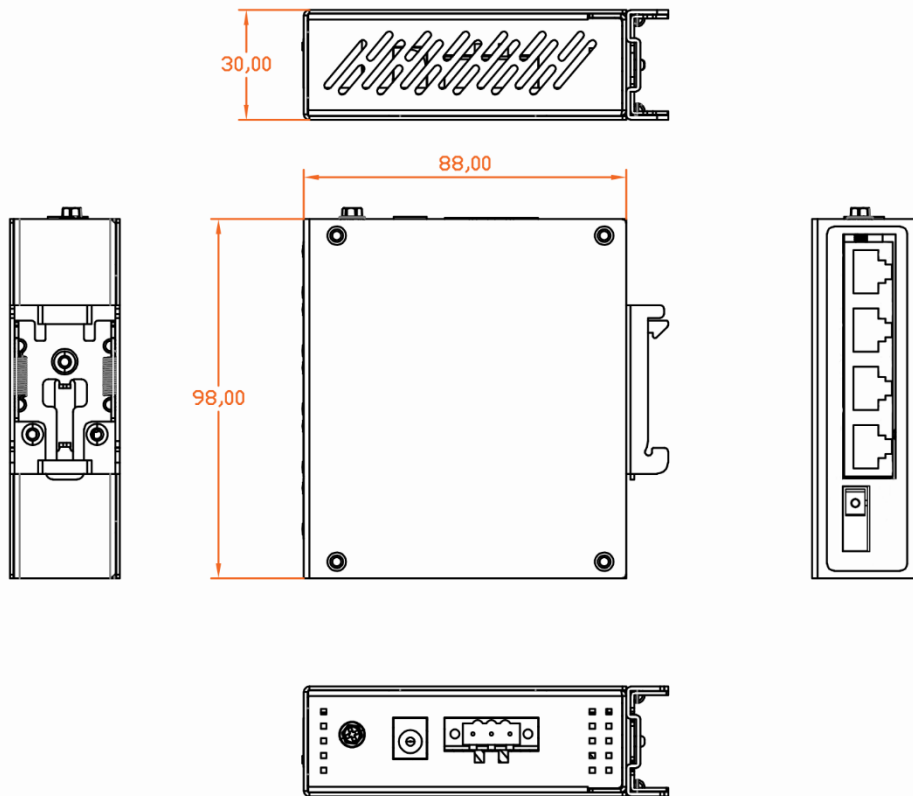
## Technical Specification

Model	GWS-IPS1004PF
<b>Interface Characteristics</b>	
Fixed Port	4*10/100Base-T PoE ports (Data /Power) 1*155M uplink SC port (Data) 2 group of V+, V- redundant DC power interface (3P Phoenix terminal+DC5521 Jack)
Ethernet Port	10/100Base-TX auto-sensing, full/half duplex MDI/MDI-X self-adaption
Twisted Pair	10BASE-T: Cat3,4,5 UTP(≤100 meter)
Transmission	100BASE-TX: Cat5e or later UTP(≤100 meter)

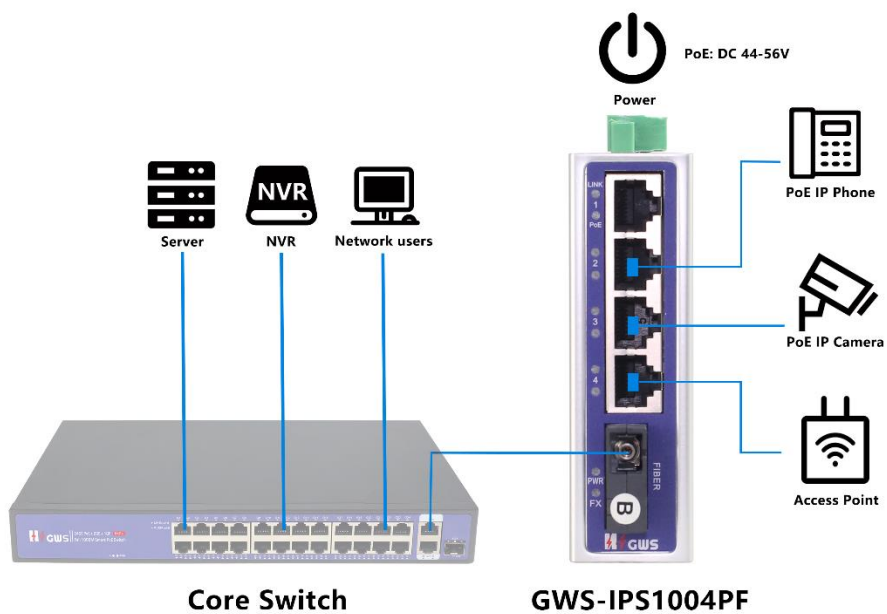
Fiber Port	The default optical module is single-mode dual-fiber 20km, SC interface; Multi-mode dual fiber and single-mode single fiber see product selection table
Optical Cable	Multimode: 850nm 0 ~ 550M, 1310nm 0 ~ 2KM, singlemode: 1310nm 0 ~ 40KM, 1550nm 0 ~ 120KM.
<b>Chip Parameter</b>	
Network Protocol	IEEE802.3 10BASE-T; IEEE802.3i 10Base-T; IEEE802.3u 100Base-TX;IEEE802.3u 100Base-FX; IEEE802.3x
Forwarding Mode	Store and Forward(Full Wire Speed)
Switching Capacity	1.0Gbps (no-blocking)
Forwarding Rate@64byte	0.744Mpps
MAC	2K
Buffer Memory	512Kb
Jumbo Frame	2048B
LED Indicator	Power: PWR (green), Network :Link1-4, (green); fiber port :FX (green)
<b>PoE &amp; Power Supply</b>	
PoE Port	Port 1 to 4 IEEE 802.3 af/at @POE
Power Supply Pin	Default 1/2 (+), 3/6 (-) , optional 4/5 (+), 7/8 (-)
Max Power Per Port	30W, IEEE802.3af/at
Total PWR / Input Voltage	60W/48VDC
Power Consumption	Standby<3W, Full load<60W
Working Voltage	44-56VDC; 3P industrial phoenix terminal+DC5521 Jakc, anti-reverse protection.
Power Supply	No, optional 48V/60W or 48V/120W industrial power supply
<b>Physical Parameter</b>	
Operation TEMP /	-40~+75°C;5%~90% RH Non condensing

Humidity	
Storage TEMP / Humidity	-40~+85°C;5%~95% RH Non condensing
Dimension (L*W*H)	98*88*30mm
Net /Gross Weight	<0.2kg / <0.3kg
Installation	Desktop, 35mm DIN rail
<b>Certification &amp; Warranty</b>	
Lightning Protection / Protection Level	<p>Lightning protection: 6KV 8/20us;Protection level: IP30</p> <p>IEC61000-4-2(ESD):±8kV contact discharge,±15kV air discharge</p> <p>IEC61000-4-3(RS):10V/m(80~1000MHz)</p> <p>IEC61000-4-4(EFT): power cable:±4kV; data cable:±2kV</p> <p>IEC61000-4-5(Surge):power cable:CM±4kV/DM±2kV; data cable:±4kV</p> <p>IEC61000-4-6(radio frequency transmission):10V(150kHz~80MHz)</p> <p>IEC61000-4-8(power frequency magnetic field):100A/m;1000A/m ,1s to 3s</p> <p>IEC61000-4-9(pulsed magnet field):1000A/m</p> <p>IEC61000-4-10(damped oscillation):30A/m 1MHz</p> <p>IEC61000-4-12/18(shockwave):CM 2.5kV,DM 1kV</p> <p>IEC61000-4-16(common-mode transmission):30V; 300V,1s</p> <p>FCC Part 15/CISPR22(EN55022):Class A</p> <p>IEC61000-6-2(Common Industrial Standard)</p>
Mechanical Properties	IEC60068-2-6 (anti vibration), IEC60068-2-27 (anti shock), IEC60068-2-32 (free fall)
Certification	CCC;CE mark, commercial; CE/LVD EN62368-1;FCC Part 15 Class B;RoHS;
Warranty	5 years , lifelong maintenance.

## Dimension



## Application



## Ordering Information

Model	Description	Power Supply
GWS-IPS1004PF	Unmanaged industrial PoE fiber switch with 4*10/100M PoE ports and 1*155M SC port, Port 1-4 can support PoE IEEE802.3af/at. By default, the SC port 1310nm/20km single-mode dual-fiber module is configured. It can support dual DC redundant power input (Phoenix terminal +DC Jack connection) and rail mounting.	60W/120W
GWS-IPS1004PF -M	Unmanaged industrial PoE fiber switch with 4*10/100M PoE ports and 1*155M SC port, Port 1-4 can support PoE IEEE802.3af/at. By default, the SC port 850nm/0.5km or 1310nm/2km multi-mode dual fiber module is configured. It can support dual DC redundant power input (Phoenix terminal +DC Jack connection) and support rail mounting.	60W/120W
GWS-IPS1004PF -A	Unmanaged industrial PoE fiber switch with 4*10/100M PoE ports and 1*155M uplink SC port . Port 1-4 can support IEEE 802.3af/at. By default, the SC port 1310nm/20km single-mode single-fiber module is configured. It can support dual DC redundant power input (Phoenix terminal +DC Jack connection) and support rail mounting.	60W/120W
GWS-IPS1004PF -B	Unmanaged industrial PoE fiber switch with 4*10/100M PoE ports and 1*155M uplink SC port . Port 1-4 can support IEEE 802.3af/at. By default, the SC port 1550nm/20km single-mode single-fiber module is configured. It can support dual DC redundant power input (Phoenix terminal +DC Jack connection) and support rail mounting.	60W/120W

**Note:** The power supply is not included, and needs to be purchased separately

## Packing List

PACKING LIST	CONTENT	QTY	UNIT
	5-port 10/100M industrial PoE fiber switch	1	SET
	User Guide	1	PC
	Warranty Card	1	PC

## Power Supply

Product	Model	Description	Unit
65W Desktop Power Adaptor	AP65-52	Desktop tape 65W single set of output power adapter; Input Voltage:AC 100V~240V 50-60Hz,1.1A Output Voltage:DC 52V 1.25A Operation Temperature:-20°C—+65°C	PC
110W Desktop Power Adaptor	AP110-52	Desktop tape 110W single set of output power adapter; Input Voltage:AC 100V~240V 50-60Hz,2.0A Output Voltage:DC 52V 2.0A Operation Temperature:-20°C—+65°C	PC
60W DIN Rail Industrial Power Supply	DP60-48	Din Rail type 60W single set of output power supply; Input Voltage:AC 100V~240V 50-60Hz,1A Output Voltage:DC 48V 1.25A Operation Temperature:-40°C—+70°C	PC
120W DIN Rail Industrial Power Supply	DP120-48	Din Rail type 120W single set of output power supply; Input Voltage:AC 100V~240V 50-60Hz,1.5A Output Voltage:DC 48V 2.5A Operation Temperature:-40°C—+70°C	PC



## Contact Us



Tel: 0086-755-33376606

Fax: 0086-755-33376608

WeChat: HZGWS-PoE

Email: [hzgws@hzgws.com](mailto:hzgws@hzgws.com)

Skype: [hzgws@hzgws.com](https://www.skype.com/people/hzgws@hzgws.com)

Website: [www.hzgws.com](http://www.hzgws.com)

Address: Building 3, Phase II, Xinghe Artificial Intelligence Industrial Park, No.333 Zhongkai 6th Road,  
Chenjiang Street, Zhongkai High-tech Zone, Huizhou

