

Product Datasheet

6-port Full Gigabit Industrial PoE Switch

(GWS-IPS3064PFG)



Overview

The GWS-IPS3064PFG is a full gigabit industrial PoE fiber switch. It has 5*10/100/1000Base-T RJ45 ports and 1*1000Base-X uplink SFP slot port. Port 1-4 can support IEEE 802.3af/at PoE standard, single-port PoE power up to 30W. As a PoE power supply device, it can automatically detect and recognize the power receiving equipment that meets the standard and supply power through the network cable. It can supply power to PoE terminal device such as wireless AP, IP camera, industrial sensor through the network cable, and meet the network environment that needs high-density PoE power supply. It is suitable for intelligent transportation, rail transit, power industry, mining, petroleum, sea transportation. Industrial scenes such as metallurgy and green energy construction form a cost-effective, stable and reliable communication network.

Unmanaged mode, plug, and play, no configuration, easy to use.

Feature

- **Gigabit Ethernet port access, uplink gigabit dual SFP port**
 - ◇ Uplink gigabit SFP fiber port, easy to achieve high bandwidth and long-distance transmission.
 - ◇ SFP fiber port can cascade, chain, compatible with SFP module connection.

- **Intelligent PoE power supply**
 - ◇ 4*10/100/1000Base-T RJ45 ports, meeting the needs of security monitoring, teleconferencing system, wireless coverage, and other scenarios.
 - ◇ IEEE 802.3af/at PoE standard, without damaging non-PoE devices.
 - ◇ Priority system for PoE port, it will supply power to the high priority level port first when the power budget is insufficient and avoid overwork of the device.

- **Stable and reliable**
 - ◇ Low power consumption, No fan low noise design, aluminum shell.
 - ◇ CCC,CE, FCC, RoHS.
 - ◇ The user-friendly panel, it can show the device status through the LED indicator of PWR,Link, PoE.

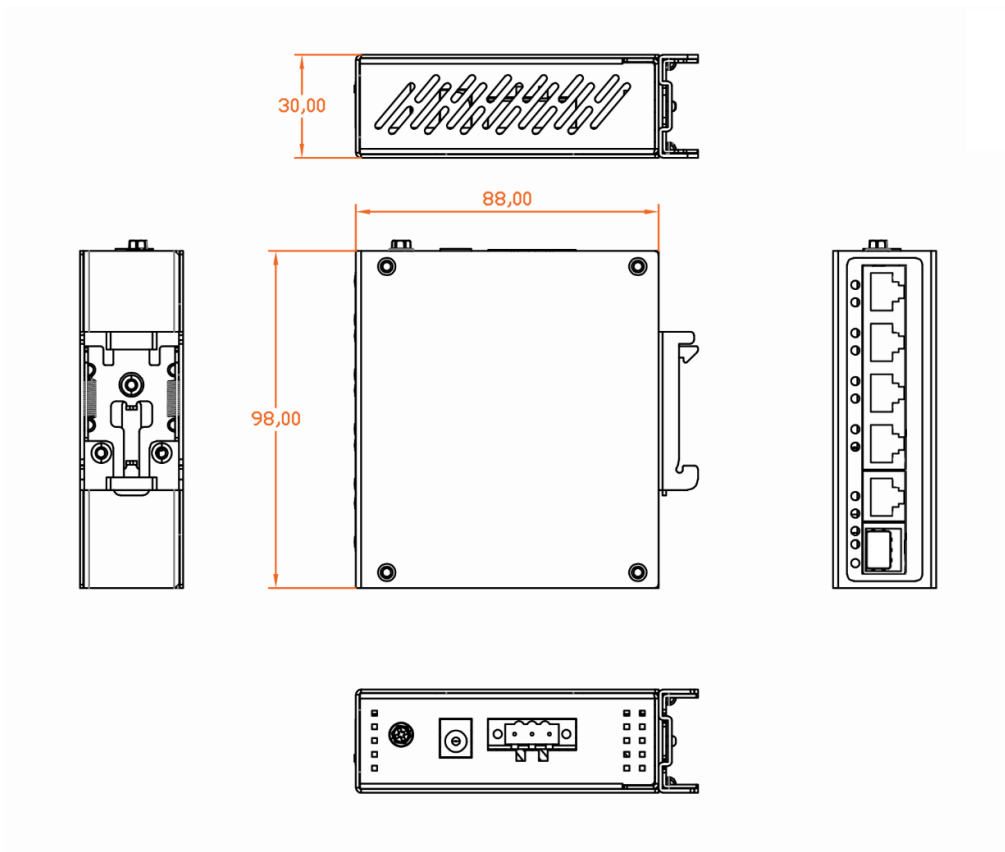
Technical Specification

Model	GWS-IPS3064PFG
Interface Characteristics	
Fixed Port	4*10/100/1000Base-T PoE ports (Data/Power) 1*10/100/1000Base-T uplink RJ45 port (Data) 1*1000Base-X uplink SFP fiber slot port (Data) 2 sets of V+, V- redundant DC power port (3P Phoenix terminal+DC5521 Jack)
Ethernet Port	Port 1-5support 10/100/1000Base-T auto-sensing, full/half duplex MDI/MDI-X self-adaption
Twisted Pair	10BASE-T: Cat3,4,5 UTP(≤100 meter)

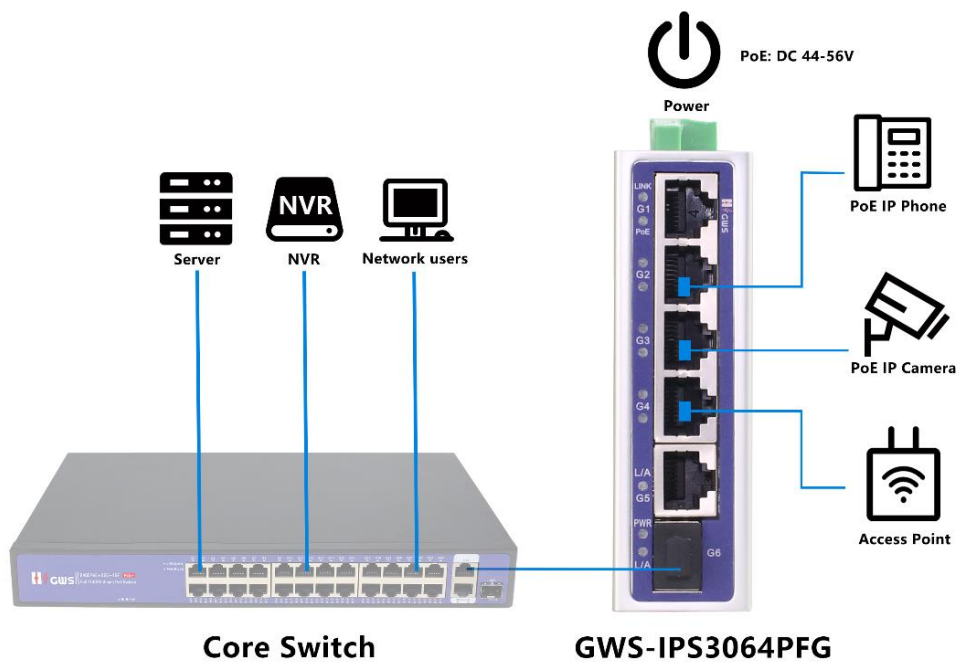
Transmission	100BASE-TX: Cat5 or later UTP(≤100 meter) 1000BASE-T: Cat5e or later UTP(≤100 meter)
Fiber Port	Gigabit SFP optical fiber port, default matching optical modules (optional order single-mode / multi-mode, single fiber / dual fiber optical module. LC)
Optical Cable	Multimode: 850nm 0 ~ 550M, singlemode: 1310nm 0 ~ 40KM, 1550nm 0 ~ 120KM.
Chip Parameter	
Network Protocol	IEEE802.3 10BASE-T, IEEE802.3i 10Base-T IEEE802.3u 100Base-TX, IEEE802.3ab 1000Base-T IEEE802.3z 1000Base-X, IEEE802.3x
Forwarding Mode	Store and Forward(Full Wire Speed)
Switching Capacity	12Gbps(Non-blocking)
Forwarding Rate@64byte	8.93Mpps
MAC	2K
Buffer Memory	2Mb
Jumbo Frame	9.2KB
LED Indicator	Power: PWR (green), Network :Link G1-G5 (green); PoE : PoE G1-G4 (green) , fiber port :L/A G6 (green)
PoE & Power Supply	
PoE Port	Port 1 to 4 IEEE 802.3 af/at @POE
Power Supply Pin	1/2 (+), 3/6 (-)
Max Power Per Port	30W, IEEE802.3af/at
Total PWR / Input Voltage	60W/48VDC
Power Consumption	Standby<4W, Full load<60W/at<120W
Working Voltage	44-56VDC; 3P industrial phoenix terminal+DC5521 Jack, anti-reverse protection.
Power Supply	No, optional 48V/60W or 48V/120W industrial power supply

Physical Parameter	
Operation TEMP / Humidity	-40~+75°C;5%~90% RH Non condensing
Storage TEMP / Humidity	-40~+85°C;5%~95% RH Non condensing
Dimension (L*W*H)	98*88*30mm
Net /Gross Weight	<0.2kg / <0.3kg
Installation	Desktop, 35mm DIN rail
Certification & Warranty	
Lightning Protection / Protection Level	<p>Lightning protection: 6KV 8/20us;Protection level: IP30</p> <p>IEC61000-4-2(ESD):±8kV contact discharge,±15kV air discharge</p> <p>IEC61000-4-3(RS):10V/m(80~1000MHz)</p> <p>IEC61000-4-4(EFT): power cable:±4kV; data cable:±2kV</p> <p>IEC61000-4-5(Surge):power cable:CM±4kV/DM±2kV; data cable:±4kV</p> <p>IEC61000-4-6(radio frequency transmission):10V(150kHz~80MHz)</p> <p>IEC61000-4-8(power frequency magnetic field):100A/m;1000A/m ,1s to 3s</p> <p>IEC61000-4-9(pulsed magnet field):1000A/m</p> <p>IEC61000-4-10(damped oscillation):30A/m 1MHz</p> <p>IEC61000-4-12/18(shockwave):CM 2.5kV,DM 1kV</p> <p>IEC61000-4-16(common-mode transmission):30V; 300V,1s</p> <p>FCC Part 15/CISPR22(EN55022):Class A</p> <p>IEC61000-6-2(Common Industrial Standard)</p>
Mechanical Properties	IEC60068-2-6 (anti vibration), IEC60068-2-27 (anti shock), IEC60068-2-32 (free fall)
Certification	CCC;CE mark, commercial; CE/LVD EN62368-1;FCC Part 15 Class B;RoHS;
Warranty	5 years , lifelong maintenance.

Dimension



Application



Ordering Information

Model	Description	Power Supply
GWS-IPS3064PFG	Unmanaged industrial PoE fiber switch with 5*10/100/1000M RJ45 ports and 1*1000M uplink SFP slot port, Port 1-4 can support IEEE802.3af/at PoE. Support DC dual power supply input and DIN rail mounting.	60W/120W

Note: The power supply is not included, and needs to be purchased separately

Packing List

PACKING LIST	CONTENT	QTY	UNIT
	6-port full gigabit industrial PoE fiber switch	1	SET
	User Guide	1	PC
	Warranty Card	1	PC

Optical Module Information

Product	Model	Description	Unit
1.25G Optical Module	2630-G	Industrial SFP optical module, 1.25G, multi-mode dual fiber 850nm, transmission distance: 550m, LC interface, support DDM function, support hot plug and pull.	PC
	2632-G	Industrial SFP optical module, 1.25G, single-mode dual fiber 1310nm, transmission distance: 20km, LC interface, support DDM function, support hot plug and pull.	PC
	2612-T-G	Industrial SFP optical module, 1.25G, single-mode single fiber TX1310nm/RX1550nm, transmission distance: 20km, LC	PC

		interface, support DDM function, support hot plug and pull.	
	2613-R-G	Industrial SFP optical module, 1.25G, single-mode single fiber TX1550nm/RX1310nm, transmission distance: 20km, LC interface, support DDM function, support hot plug and pull.	PC
	2612-T-G-SC	Industrial SFP optical module, 1.25G, single-mode single fiber TX1310nm/RX1550nm, transmission distance: 20km, SC interface, support DDM function, support hot plug and pull.	PC
	2613-R-G-SC	Industrial SFP optical module, 1.25G, single-mode single fiber TX1550nm/RX1310nm, transmission distance: 20km, SC interface, support DDM function, support hot plug and pull.	PC
Power Module	2633	1.25G SFP optical module transfers to 10/100/1000M RJ45 port.	PC

Power Supply

Product	Model	Description	Unit
65W Desktop Power Adaptor	AP65-52	Desktop tape 65W single set of output power adapter; Input Voltage:AC 100V~240V 50-60Hz,1.1A Output Voltage:DC 52V 1.25A Operation Temperature:-20°C—+65°C	PC
110W Desktop Power Adaptor	AP110-52	Desktop tape 110W single set of output power adapter; Input Voltage:AC 100V~240V 50-60Hz,2.0A Output Voltage:DC 52V 2.0A Operation Temperature:-20°C—+65°C	PC
60W DIN Rail Industrial Power Supply	DP60-48	Din Rail type 60W single set of output power supply; Input Voltage:AC 100V~240V 50-60Hz,1A Output Voltage:DC 48V 1.25A	PC

		Operation Temperature:-40°C—+70°C	
120W DIN Rail Industrial Power Supply	DP120-48	Din Rail type 120W single set of output power supply; Input Voltage:AC 100V~240V 50-60Hz,1.5A Output Voltage:DC 48V 2.5A Operation Temperature:-40°C—+70°C	PC

Contact Us



Tel: 0086-755-33376606

Fax: 0086-755-33376608

WeChat: HZGWS-PoE

Email: hzgws@hgzws.com

Skype: [hzgws@hgzws.com](https://www.skype.com/people/hzgws@hgzws.com)

Website: www.hzgws.com



Address: Building 3, Phase II, Xinghe Artificial Intelligence Industrial Park, No.333 Zhongkai 6th Road, Chenjiang Street, Zhongkai High-tech Zone, Huizhou