

Product Datasheet

3-port 10/100M Industrial Ethernet Fiber Switch

(GWS-IPS1032F)



Overview

The GWS-IPS1032F is a 10/100M industrial Ethernet fiber switch. It has 2*10/100Base-TX RJ45 ports and 1*155M SC fiber port. Each port can support full line-rate forwarding.

GWS-IPS1032F industrial Ethernet switch has excellent industrial field environment adaptability (including mechanical stability, climate adaptability, electromagnetic environment adaptability, etc.), protection level up to IP30, support for dual redundant power supply, low power consumption and no fan cooling technology, MTBF average trouble-free working time up to 35 years, 5-year warranty. unmanaged models, plug and play, no configuration, easy to use. It is suitable for industrial scenes such as intelligent transportation, rail transit, electric power, mining, metallurgy and green energy construction to form a cost-effective and stable communication network.

Unmanaged model, plug and play, no configuration, easy to use.

Feature

■ 10/100M access, Fast Ethernet

- ◇ Support non-blocking wire-speed forwarding.
- ◇ Support full-duplex based on IEEE802.3x and half-duplex based on Backpressure.
- ◇ Support 10/100M Ethernet port and 155M SC optical port combination, which enables users to flexibly build networking to meet the needs of various scenarios.

■ Stable and reliable

- ◇ CCC,CE, FCC, RoHS.
- ◇ Low power consumption, No fan, aluminum shell.
- ◇ The user-friendly panel can show the device status through the LED indicator of PWR, Link.

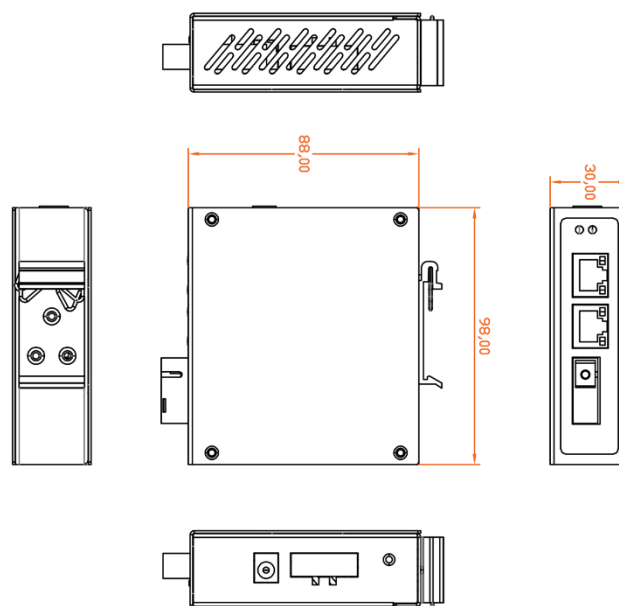
Technical Specification

Model	GWS-IPS1032F
Interface Characteristics	
Fixed Port	1*155M SC fiber port(Data) 2*10/100Base-TX RJ45 ports (Data) 2 set of V+, V- redundant DC power interface (3P Phoenix terminal+DC5521 Jack)
Ethernet Port	Port 1 to 2 support 10/100Base-TX auto-sensing, full/half duplex MDI/MDI-X self-adaption
Twisted Pair	10BASE-T: Cat3,4,5 UTP(≤100 meters)
Transmission	100BASE-TX: Cat5 or later UTP(≤100 meters)
Fiber Port	Default optical module is single-mode dual-fiber 20km, SC port
Optical Cable/ Distance	Multi-mode: 850nm / 0-550M, 1310nm / 0~2KM Single-mode: 1310nm / 0-40KM, 1550nm / 0-120KM
Chip Parameter	

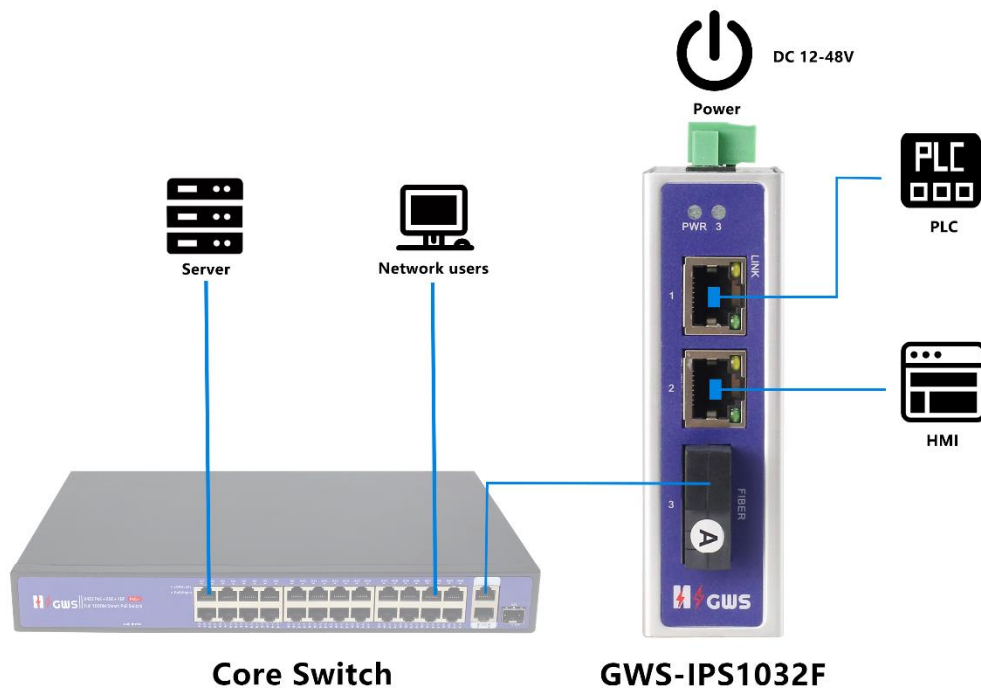
Network Protocol	IEEE802.3 10BASE-T, IEEE802.3i 10Base-T, IEEE802.3u 100Base-TX IEEE802.3x
Forwarding Mode	Store and Forward(Full Wire Speed)
Switching Capacity	1.0Gbps (no-blocking)
Forwarding Rate@64byte	0.45Mpps
MAC	2K
Buffer Memory	512Kb
Jumbo Frame	2048B
LED Indicator	Power: PWR (Green), Network: Link1-2 (Yellow),Fiber port :3 (green)
Power Supply	
Power Consumption	Standby<3W, Full load<5W
Operating Voltage	DC12-48V, 3P industrial Phoenix terminal+DC5521 Jack, support anti-reverse protection.
Power Supply	No, optional 24V/24W industrial power supply
Physical Parameter	
Operation TEMP / Humidity	-40~+75°C, 5%~90% RH Non condensing
Storage TEMP / Humidity	-40~+85°C, 5%~95% RH Non condensing
Dimension (L*W*H)	98*88*30mm
Net /Gross Weight	<0.2kg / <0.3kg
Installation	Desktop, 35mm DIN rail
Certification & Warranty	
Lightning Protection	Lightning protection: 6KV 8/20us, Protection level: IP30 IEC61000-4-2(ESD):±8kV contact discharge,±15kV air discharge IEC61000-4-3(RS):10V/m(80~1000MHz)

	<p>IEC61000-4-4(EFT): power cable:±4kV; data cable:±2kV</p> <p>IEC61000-4-5(Surge):power cable:CM±4kV/DM±2kV; data cable:±4kV</p> <p>IEC61000-4-6(radio frequency transmission):10V(150kHz~80MHz)</p> <p>IEC61000-4-8(power frequency magnetic field):100A/m;1000A/m ,1s to 3s</p> <p>IEC61000-4-9(pulsed magnet field):1000A/m</p> <p>IEC61000-4-10(damped oscillation):30A/m 1MHz</p> <p>IEC61000-4-12/18(Shockwave):CM 2.5kV,DM 1kV</p> <p>IEC61000-4-16(common-mode transmission):30V; 300V,1s</p> <p>FCC Part 15/CISPR22(EN55022):Class B</p> <p>IEC61000-6-2(Common Industrial Standard)</p>
Mechanical Properties	<p>IEC60068-2-6 (anti vibration)</p> <p>IEC60068-2-27 (anti shock)</p> <p>IEC60068-2-32 (free fall)</p>
Certification	CCC, CE mark, commercial, CE/LVD EN62368-1, FCC Part 15 Class B RoHS
Warranty	5 years, lifelong maintenance.

Dimension



Application



Ordering Information

Model	Description	Recommended Power Supply
GWS-IPS1032F-M	Unmanaged industrial Ethernet fiber switch with 2*10/100M RJ45 port and 1*155M uplink SC port. By default, the SC port 850nm/0.5km or 1310nm/2km multi-mode dual fiber module. It can support dual DC redundant power input and DIN rail mounting.	12W/24W
GWS-IPS1032F	Unmanaged industrial Ethernet fiber switch with 2*10/100M	12W/24W

	RJ45 ports and 1*155M uplink SC port. By default, the SC port 1310nm/20km single-mode dual fiber module. It can support dual DC redundant power input and DIN rail mounting.	
GWS-IPS1032F -A	Unmanaged industrial Ethernet fiber switch with 2*10/100M RJ45 ports and 1*155M uplink SC port. By default, the SC port 1310nm/20km single-mode single fiber module. It can support dual DC redundant power input and DIN rail mounting.	12W/24W
GWS-IPS1032F -B	Unmanaged industrial Ethernet fiber switch with 2*10/100M RJ45 ports and 1*155M uplink SC port. By default, the SC port 1550nm/20km single-mode single fiber module . It can support dual DC redundant power input and DIN rail mounting.	12W/24W
Note: The power supply is not included, and needs to be purchased separately		

Packing List

PACKING LIST	CONTENT	QTY	UNIT
	3-port 10/100M industrial Ethernet fiber switch	1	SET
	User Guide	1	PC
	Warranty Card	1	PC

Power Supply

Product	Model	Description	Unit
24W DIN Rail Industrial Power Supply	DP24-24	Din Rail 24W single set of output power supply Input Voltage:AC 100V~240V 50-60Hz, 0.35A Output Voltage:DC24V 1.0A Operation Temperature:-40°C—+70°C	PC

Contact Us



Tel: 0086-755-33376606

Fax: 0086-755-33376608

WeChat: HZGWS-PoE

Email: hzgws@hgzws.com

Skype: [hzgws@hgzws.com](https://www.skype.com/people/hzgws@hgzws.com)

Website: www.hzgws.com



Address: Building 3, Phase II, Xinghe Artificial Intelligence Industrial Park, No.333 Zhongkai 6th Road,
Chenjiang Street, Zhongkai High-tech Zone, Huizhou