

Product Datasheet

3-port 10/100M Industrial PoE Fiber Switch

(GWS-IPS1032PF)



Overview

The GWS-IPS1032PF is a 10/100M industrial PoE fiber switch. It has 2*10/100M RJ45 ports and 1*155M SC fiber port. Port 1-2 can support IEEE802.3af/at PoE standard. Single-port PoE power is 30W. As a PoE power supply device, it can automatically detect and recognize power-compliant devices that meet the standard and supply power through the network cable. It can supply power to POE terminal equipment such as wireless AP, webcam, VoIP, and industrial sensors through the network cable, and meet the network environment that needs a high-density PoE power supply. It is suitable for intelligent transportation, rail transit, power industry, mining, petroleum, maritime, metallurgy, and Industrial scenarios such as green energy construction build cost-effective, stable, and reliable communication networks.

Unmanaged model, plug and play, no configuration, easy to use.

Feature

■ 10/100M RJ45 and SC port, fast Ethernet

- ◇ Support non-blocking wire-speed forwarding.
- ◇ Support full-duplex based on IEEE802.3x and half-duplex based on Backpressure.
- ◇ Support 10/100M RJ45 port and 155M SC fiber port combination, which enables users to flexibly build networking to meet the needs of various scenarios.

■ Intelligent PoE power supply

- ◇ IEEE802.3af/at PoE standard, without damaging non-PoE devices.
- ◇ 2*10/100Base-TX RJ45 ports, meeting the needs of security monitoring, teleconferencing system, wireless coverage, and other scenarios.
- ◇ Priority system for PoE port, it will supply power to the high priority level port first when the power budget is insufficient and avoid overwork of the device.

■ Stable and reliable

- ◇ CCC,CE, FCC, RoHS.
- ◇ Low power consumption, No fan, aluminum shell.
- ◇ The user-friendly panel can show the device status through the LED indicator of PWR, Link, PoE.

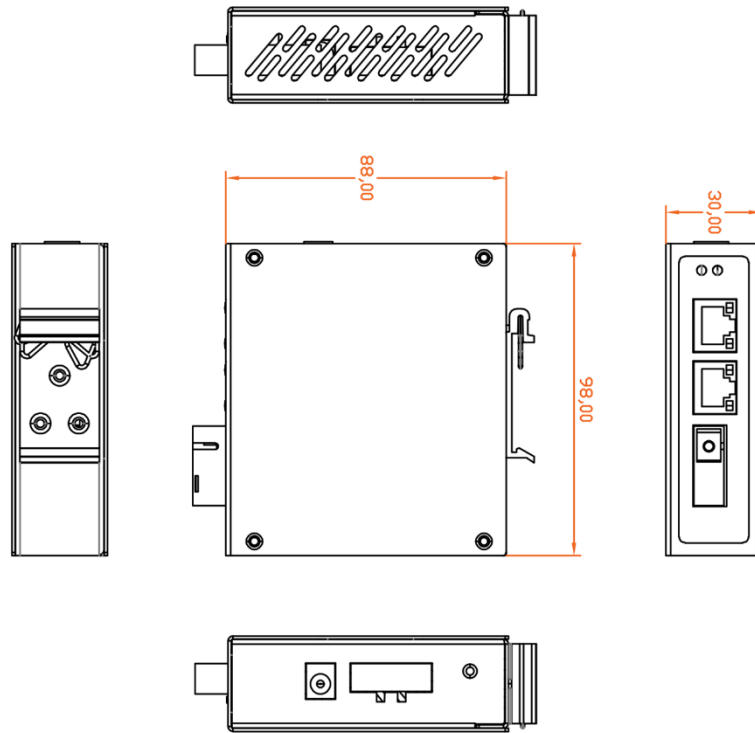
Technical Specification

| Model | GWS-IPS1032PF |
|----------------------------------|--|
| Interface Characteristics | |
| Fixed Port | 1*155M SC fiber port(Data) 2*10/100Base-TX PoE ports (Data/Power) 2 set of V+, V- redundant DC power interface (3P Phoenix terminal+DC5521 Jack) |
| Ethernet Port | Port 1 to 2 support 10/100Base-TX auto-sensing, full/half duplex MDI/MDI-X self-adaption |
| Twisted Pair | 10BASE-T: Cat3,4,5 UTP(≤100 meter) |

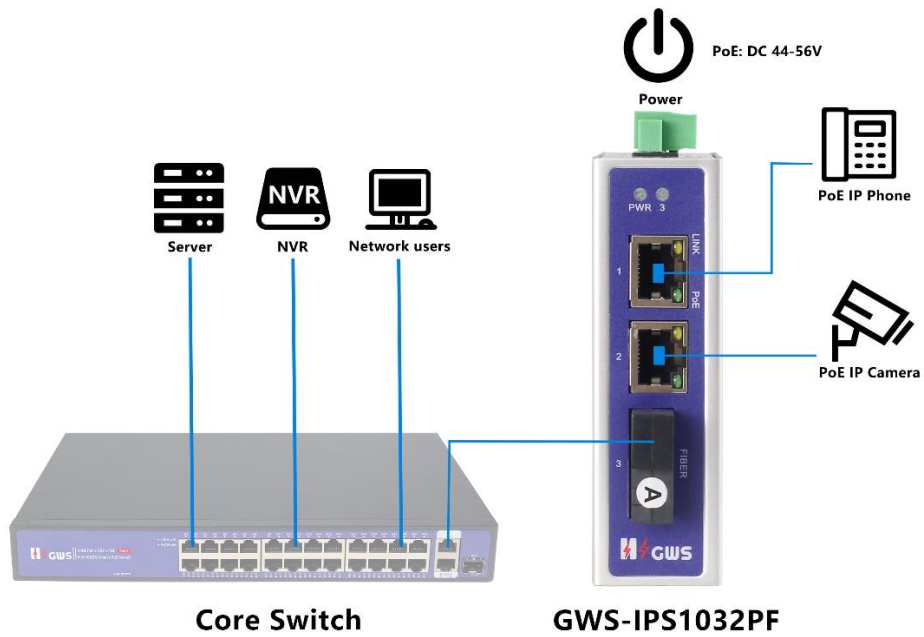
| | |
|-------------------------------|---|
| Transmission | 100BASE-TX: Cat5 or later UTP(≤100 meter) |
| Fiber Port | Default single-mode dual fiber 20km, SC interface. (optional single-mode single fiber/multi-mode dual fiber optical module) |
| Optical Cable/ Distance | Multi-mode: 850nm/ 0-500m, 1310nm/ 0-2km, Single-mode: 1310nm/ 0-40km, 1550nm/ 0-120km. |
| Chip Parameter | |
| Network Protocol | IEEE802.3 10BASE-T, IEEE802.3i 10Base-T IEEE802.3u 100Base-TX, IEEE802.3u 100Base-FX, IEEE802.3x |
| Forwarding Mode | Store and Forward(Full Wire Speed) |
| Switching Capacity | 1.0Gbps (no-blocking) |
| Forwarding Rate@64byte | 0.45Mpps |
| MAC | 2K |
| Buffer Memory | 512Kb |
| Jumbo Frame | 2048B |
| LED Indicator | Power: PWR (Green), Network: Link1-2 (Yellow), PoE: PoE1-2 (Green) Fiber port: 3 (Green) |
| PoE & Power Supply | |
| PoE Port | Port 1 to 2, IEEE802.3af/at |
| Power Supply Pin | Default 1/2 (+) 3/6 (-) |
| Max Power Per Port | 30W, IEEE802.3af/at |
| Power Consumption | Standby<1W, Full load af<30, at<60W |
| Operating Voltage | DC44-56V, 3P industrial Phoenix terminal+DC5521 Jack, support anti-reverse protection. |
| Power Supply | No, optional 48V/36W or 48V/60W industrial power supply |
| Physical Parameter | |
| Operation TEMP / Humidity | -40~+75°C, 5%~90% RH Non condensing |

| | |
|-------------------------------------|--|
| Storage TEMP / Humidity | -40~+85°C, 5%~95% RH Non condensing |
| Dimension (L*W*H) | 98*88*30mm |
| Net /Gross Weight | <0.2kg / <0.3kg |
| Installation | Desktop, 35mm DIN rail |
| Certification & Warranty | |
| Lightning Protection | <p>Lightning protection: 6KV 8/20us; Protection level: IP30</p> <p>IEC61000-4-2(ESD):±8kV contact discharge,±15kV air discharge</p> <p>IEC61000-4-3(RS):10V/m(80~1000MHz)</p> <p>IEC61000-4-4(EFT): power cable:±4kV; data cable:±2kV</p> <p>IEC61000-4-5(Surge):power cable:CM±4kV/DM±2kV; data cable:±4kV</p> <p>IEC61000-4-6(radio frequency transmission):10V(150kHz~80MHz)</p> <p>IEC61000-4-8(power frequency magnetic field):100A/m;1000A/m ,1s to 3s</p> <p>IEC61000-4-9(pulsed magnet field):1000A/m</p> <p>IEC61000-4-10(damped oscillation):30A/m 1MHz</p> <p>IEC61000-4-12/18(Shockwave):CM 2.5kV,DM 1kV</p> <p>IEC61000-4-16(common-mode transmission):30V; 300V,1s</p> <p>FCC Part 15/CISPR22(EN55022):Class B</p> <p>IEC61000-6-2(Common Industrial Standard)</p> |
| Mechanical Properties | <p>IEC60068-2-6 (anti vibration)</p> <p>IEC60068-2-27 (anti shock)</p> <p>IEC60068-2-32 (free fall)</p> |
| Certification | CCC, CE mark, commercial, CE/LVD EN62368-1, FCC Part 15 Class B RoHS |
| Warranty | 5 years, lifelong maintenance. |

Dimension



Application



Ordering Information

| Model | Description | Power Supply |
|---|--|--------------|
| GWS-IPS1032PF | Unmanaged industrial PoE fiber switch with 2*10/100M PoE ports and 1*155M uplink SC fiber port. Port 1-2 support IEEE802.3af/at PoE standard. Default SC port 1310nm/20km single-mode dual fiber optical module. It can support dual DC redundant power input (Phoenix terminal connection) and DIN rail mounting. | 36W/60W |
| GWS-IPS1032PF -M | Unmanaged industrial PoE fiber switch with 2*10/100M PoE ports and 1*155M uplink SC fiber port. Port 1-2 support IEEE802.3af/at PoE standard. Default SC port 850nm/0.5km,1310nm/2km multi-mode dual fiber optical module. It can support dual DC redundant power input (Phoenix terminal connection) and DIN rail mounting. | 36W/60W |
| GWS-IPS1032PF -A | Unmanaged industrial PoE fiber switch with 2*10/100M PoE ports and 1*155M uplink SC fiber port. Port 1-2 support IEEE802.3af/at PoE standard. Default SC port 1310nm/20km single-mode single fiber optical module. It can support dual DC redundant power input (Phoenix terminal connection) and DIN rail mounting. | 36W/60W |
| GWS-IPS1032PF -B | Unmanaged industrial PoE fiber switch with 2*10/100M PoE ports and 1*155M uplink SC fiber port.. Port 1-2 support IEEE802.3af/at PoE standard. Default SC port 1550nm/20km single-mode single fiber optical module. It can support dual DC redundant power input (Phoenix terminal connection) and and DIN rail mounting. | 36W/60W |
| Note: The power supply is not included, and needs to be purchased separately | | |

Packing List

| PACKING LIST | CONTENT | QTY | UNIT |
|--------------|--|-----|------|
| | 3-port 10/100M industrial PoE fiber switch | 1 | SET |
| | User Guide | 1 | PC |
| | Warranty Card | 1 | PC |

Power Supply

| Product | Model | Description | Unit |
|--------------------------------------|---------|--|------|
| 36W Desktop Power Adaptor | AP36-52 | Desktop 36W single set of output power adapter Input Voltage:AC 100V~240V 50-60Hz, 0.56A Output Voltage:DC 52V 0.7A Operation Temperature:-20°C—+65°C | PC |
| 65W Desktop Power Adaptor | AP65-52 | Desktop 65W single set of output power adapter Input Voltage:AC 100V~240V 50-60Hz,1.1A Output Voltage:DC 52V 1.25A Operation Temperature:-20°C—+65°C | PC |
| 36W DIN Rail Industrial Power Supply | DP36-48 | Din Rail 36W single set of output power supply Input Voltage:AC 100V~240V 50-60Hz,0.56A Output Voltage:DC 48V 0.75A Operation Temperature:-40°C—+70°C | PC |
| 60W DIN Rail Industrial Power Supply | DP60-48 | Din Rail 60W single set of output power supply Input Voltage:AC 100V~240V 50-60Hz,1A Output Voltage:DC 48V 1.25A Operation Temperature:-40°C—+70°C | PC |



Contact Us



Tel: 0086-755-33376606

Fax: 0086-755-33376608

WeChat: HZGWS-PoE

Email: h zgws@h zgws.com

Skype: [h zgws@h zgws.com](https://www.skype.com/people/hzgws@h zgws.com)

Website: www.hzgws.com



Address: Building 3, Phase II, Xinghe Artificial Intelligence Industrial Park, No.333 Zhongkai 6th Road,
Chenjiang Street, Zhongkai High-tech Zone, Huizhou