

Product Datasheet

10-port 10/100Mbps AI PoE Switch

(GWS-1108PSD)



Overview

The GWS-1108PSD is a 10/100M unmanaged PoE switch. It has 8*10/100Base-TX RJ45 ports and 2*10/100Base-TX RJ45 ports. Port 1-8 can support IEEE 802.3 af/at PoE standard. Single port PoE power reaches 30W. The PoE port supports the watchdog function. When the port communication fails, the POE of the corresponding port will automatically restart, and the network communication will be restored by itself without affecting the normal operation of other ports, reducing manual intervention and maintenance costs. As a PoE power supply device, it can automatically detect and recognize the power-receiving equipment that meets the standard and supply power through the network cable. It can supply power to POE terminal equipment such as wireless AP, IP camera, VoIP phone, and building visual access control, intercom through a network cable, to meet the network environment that needs high-density PoE power supply, suitable for hotels, campuses, parks, supermarkets, scenic spots, factory quarters and SMB small and medium-sized enterprises form a cost-effective network. Unmanaged mode, plug, and play, no configuration, easy to use.

Feature

■ 10/100Mbps access, Dual RJ45 port uplink

- ◇ Support non-blocking wire-speed forwarding.
- ◇ Support full-duplex based on IEEE802.3x and half-duplex based on Backpressure.
- ◇ 10*10/100Base-TX RJ45 ports allow users to flexibly network to meet the networking requirements of various scenarios.

■ Intelligent PoE power supply

- ◇ 8*10/100Base-TX RJ45 ports support PoE power to meet the needs of PoE power in various scenarios in the security field.
- ◇ Comply with PoE+ power standard, automatically identify PoE devices for power without damaging non-PoE devices, and the single port max PoE output power is 30W.
- ◇ The PoE port supports the watchdog function, which automatically detects the data communication status in real-time. When the port communication fails, the corresponding port PoE will automatically restart and repair the network communication by itself.

■ Innovative function

- ◇ **PoE watchdog:** The watchdog function is enabled by default for ports 1 to 8, which can automatically detect the data communication status in real-time. When the port communication fails, the corresponding port POE will automatically restart, and the network communication can be repaired by itself, eliminating manual maintenance costs.
- ◇ **Long-distance and VLAN mode (E):** switch to "ON" position (default "OFF"), the port 1 to 8 rate is 10M, and the physical VLAN isolation function is turned on at the same time to suppress broadcast storms and improve network performance. Using the existing twisted pair can break through the 100 meters transmission limit, and the transmission distance can be up to 250 meters. At the same time, it can solve the problem of poor transmission caused by aging lines.

■ Stable and reliable, easy to use

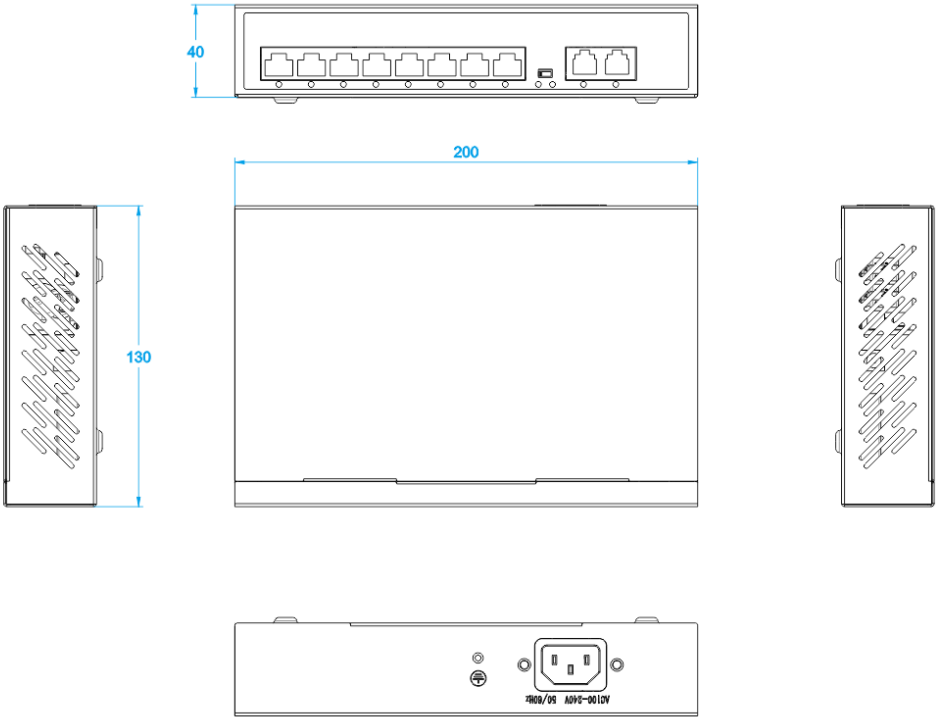
- ◇ CCC, CE, FCC and RoHS.
- ◇ Plug and play, no configuration required, easy to use and maintain.
- ◇ The user-friendly panel, it can show the device status through the LED indicator of PWR, Link, PoE.
- ◇ Low power consumption, no fan, galvanized steel shell, excellent heat dissipation to ensure stable operation of the equipment.

Technical Specification

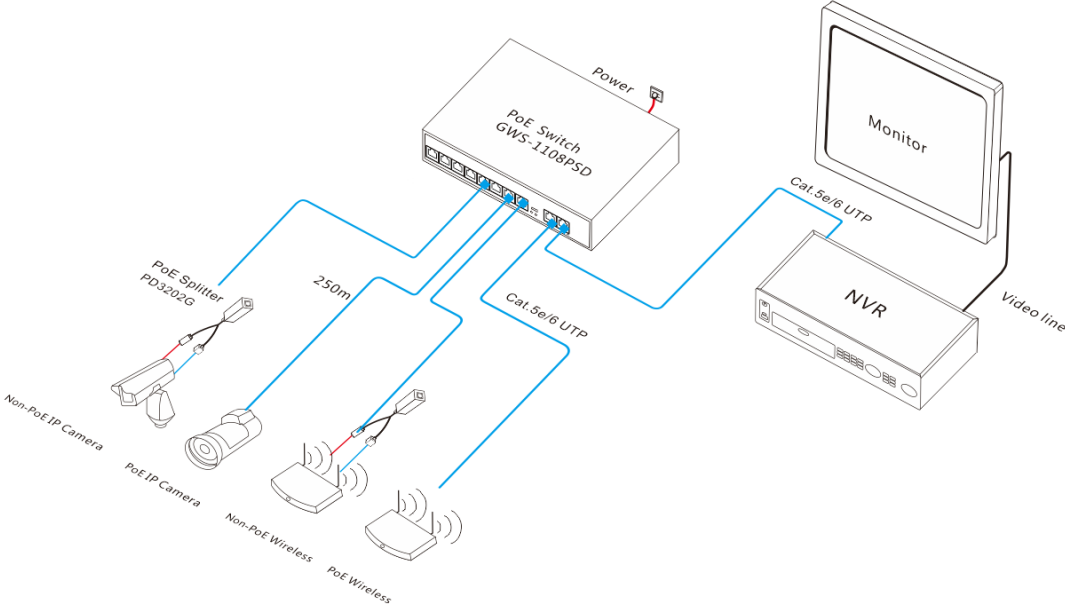
Model	GWS-1064PSD	GWS-1108PSD
Interface Characteristics		
Fixed Port	4*10/100Base-TX PoE ports (Data/Power) 2*10/100Base-TX uplink RJ45 ports (Data)	8*10/100Base-TX PoE ports (Data/Power) 2*10/100Base-TX uplink RJ45 ports (Data)
Ethernet Port	Port 1- 6/ 1-10 can support 10/100BaseTX auto-sensing, full/half duplex MDI/MDI-X self-adaption	
Twisted Pair Transmission	10BASE-T: Cat3,4,5 UTP(≤250 meters) 100BASE-TX: Cat5 or later UTP(≤100 meters)	
Functional Switch	E: long-distance and VLAN isolation function (Default: OFF, Use:ON), After opening, the transmission rate of ports 1-4/1-8 is 10M to achieve 250 meters transmission.	
Chip Parameter		
Network Protocol	IEEE802.3 10BASE-T, IEEE802.3i 10Base-T IEEE802.3u 100Base-TX, IEEE802.3x	
Forwarding Mode	Store and Forward(Full Wire Speed)	
Switching Capacity	1.6Gbps	2Gbps
Forwarding Rate@64byte	0.89Mpps	1.488Mpps

MAC	1K	2K
Buffer Memory	768K	1.25M
Jumbo Frame	1536byte	
LED Indicator	Power: PWR (green), Functional switch: EXTEND (Green) Network/ PoE: 1-6/ 1-10: (Green)	
PoE & Power Supply		
PoE Port	Port 1 to 4 IEEE 802.3 af/at	Port 1 to 8 IEEE 802.3 af/at
Power Supply Pin	1/2(+) 3/6(-)	
Max Power Per Port	30W, PoE+	
Total PWR / Input Voltage	65W (AC100-240V)	120W (AC100-240V)
Power Consumption	Standby<3W, Full load<65W	Standby<5W, Full load<120W
Power Supply	Built-in power supply, AC100-240V 50-60Hz 1.0A	Built-in power supply, AC100-240V 50-60Hz 2.2A
Physical Parameter		
Operation TEMP / Humidity	-20~+55°C, 5%~90% RH Non condensing	
Storage TEMP / Humidity	-40~+80°C, 5%~95% RH Non condensing	
Dimension (L*W*H)	200*130*40mm	200*130*40mm
Net /Gross Weight	<0.6kg / <1.0kg	<0.8kg / <1.2kg
Installation	Desktop, Wall-mounted	
Certification & Warranty		
Lightning Protection	Lightning protection: 4KV 8/20us, Protection level: IP30	
Certification	CCC, CE mark, commercial, CE/LVD EN62368-1, FCC Part 15 Class B, RoHS	
Warranty	1 year, lifelong maintenance.	

Dimension



Application



Ordering Information

Model	Description	Built-in Power Supply
GWS-1064PSD	Unmanaged PoE switch has 6*10/100M RJ45 ports. Ports 1-4 support PoE+ standard. The POE watchdog function is turned on by default(automatically restart PoE to realize network self-healing), switch the functional switch, ports 1-4 rate is 10M/250 meters transmission and built-in power supply.	65W/52V
GWS-1108PSD	Unmanaged PoE switch has 10*10/100M RJ45 ports. Ports 1-8 support PoE+ standard. The POE watchdog function is turned on by default(automatically restart PoE to realize network self-healing), switch the functional switch, ports 1-8 rate is 10M/250 meters transmission and built-in power supply.	120W/52V

Note: Default wall-mounted installation does not include mounting ears. If need to configure it, need to purchase it separately.

Packing List

	Content	Qty	Unit
Packing List	10-port 10/100M AI PoE switch	1	SET
	AC Power Cable	1	PC
	User Guide	1	PC
	Warranty Card	1	PC

Contact Us



Tel: 0086-755-33376606

Fax: 0086-755-33376608

WeChat: HZGWS-PoE

Email: [hgzws@hgzws.com](mailto:hzgws@hgzws.com)

Skype: [hgzws@hgzws.com](https://www.skype.com/people/hzgws@hgzws.com)

Website: www.hzgws.com

Address: Building 3, Phase II, Xinghe Artificial Intelligence Industrial Park, No.333 Zhongkai 6th Road, Chenjiang Street, Zhongkai High-tech Zone, Huizhou

