

Product Datasheet

11-port Gigabit Uplink PoE Switch

(GWS-1108PFD)



Overview

The GWS-1108PFD is an unmanaged PoE switch. It has 8*10/100M Base-T PoE ports, 2*10/100/1000M Base-T uplink RJ45 ports and 1*1000M Base-X uplink SFP ports. Port 1-8 can support IEEE 802.3 af/at PoE standard. Single port PoE power reaches 30W. The PoE port supports the watchdog function. When the port communication fails, the POE of the corresponding port will automatically restart, and the network communication will be restored by itself without affecting the normal operation of other ports, reducing manual intervention and maintenance costs. As a PoE power supply device, it can automatically detect and recognize the power-receiving equipment that meets the standard and supply power through the network cable. It can supply power to POE terminal equipment such as wireless AP, IP camera, VoIP phone, and building visual access control, intercom through a network cable, to meet the network environment that needs high-density PoE power supply, suitable for hotels, campuses, parks, supermarkets, scenic spots, factory quarters and SMB small and medium-sized enterprises form a cost-effective network.

Unmanaged model, plug and play, no configuration, easy to use.

Feature

■ 100Mbps rate, Gigabit optical ports uplink

- ◇ Support non-blocking wire-speed forwarding for smoother transmission.
- ◇ Support IEEE 802.3x full-duplex flow control and Backpressure half-duplex flow control.
- ◇ Provides Ethernet ports and Gigabit SFP ports uplink for flexible networking and meets the networking requirements of various scenarios.

■ Intelligent PoE power supply

- ◇ 8*10/100Base-TX RJ45 ports support PoE power to meet the needs of PoE power in various scenarios in the security field.
- ◇ Comply with PoE+ power standard, automatically identify PoE devices for power without damaging non-PoE devices, and the single port max PoE output power is 30W.
- ◇ The PoE port supports the watchdog function, which automatically detects the data communication status in real-time. When the port communication fails, the corresponding port PoE will automatically restart and repair the network communication by itself.

■ Stable and reliable, easy to use

- ◇ CCC,CE, FCC, RoHS.
- ◇ Plug and play, no configuration, simple and convenient.
- ◇ Low power consumption, galvanized steel casing, no fan.
- ◇ The user-friendly panel can show the device status through the LED indicator of PWR, Link, PoE.
- ◇ Self-developed power supply, high redundancy design, providing a long term and stable PoE power output.

■ **Innovative function**

- ◇ **PoE watchdog:** The watchdog function is enabled by default for ports 1 to 8, which can automatically detect the data communication status in real-time. When the port communication fails, the corresponding port POE will automatically restart, and the network communication can be repaired by itself, eliminating manual maintenance costs.
- ◇ **Long-distance and VLAN mode (E):** switch to "ON" position (default "OFF"), the port 1 to 8 rate is 10M, and the physical VLAN isolation function is turned on at the same time to suppress broadcast storms and improve network performance. Using the existing twisted pair can break through the 100 meters transmission limit, and the transmission distance can be up to 250 meters. At the same time, it can solve the problem of poor transmission caused by aging lines.

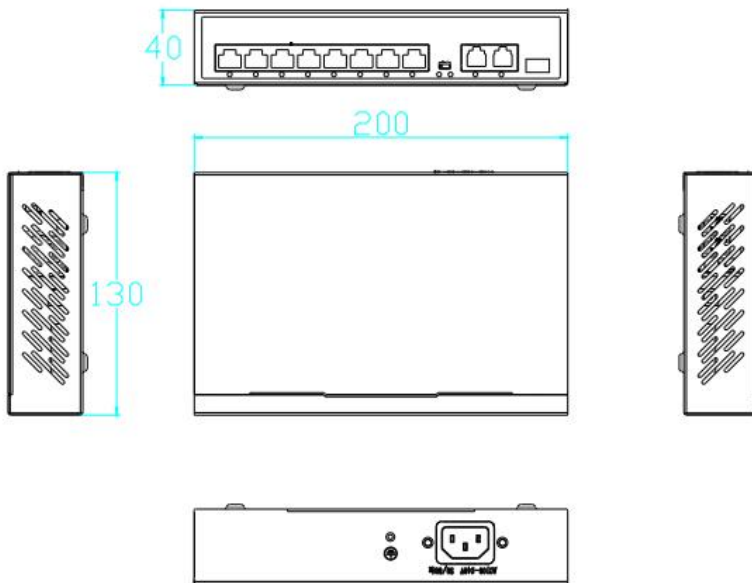
Technical Specification

Model	GWS-1108PFD
Interface Characteristics	
Fixed Port	8*10/100Base-T PoE ports (Data/Power) 2*10/100/1000Base-T uplink RJ45 ports (Data) 1*1000Base-X uplink SFP ports (Data)
Ethernet Port	Port 1-8 can support 10/100Base-T(X) and 9-10 100/1000Base-T(X) automatic detection, full/half-duplex MDI/MDI-X auto-sensing
Twisted Pair Transmission	10BASE-T: Cat3,4,5 UTP(≤250 meter) 100BASE-TX: Cat5 or later UTP(≤100 meter) 1000BASE-T: Cat5e or later UTP(≤100 meter)

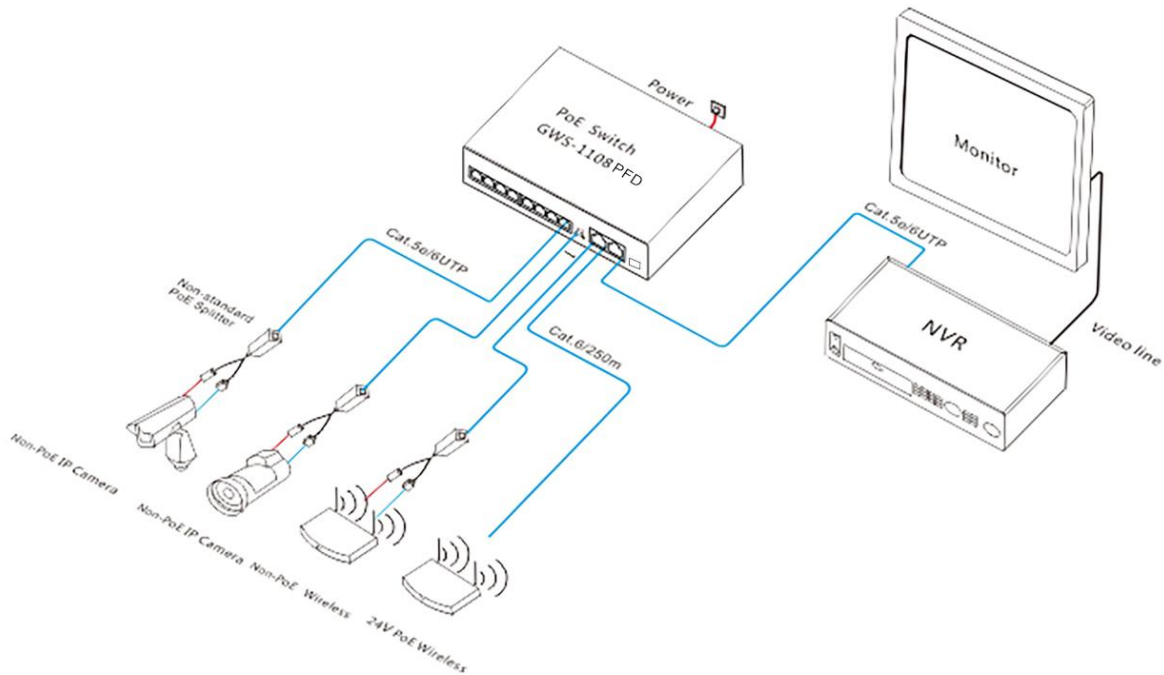
Optical Fiber Port	Gigabit optical fiber port, default no include optical module(optional order single-mode / multi-mode, single fiber / dual fiber optical module. LC/SC)
Optical Cable/ Distance	Multi-mode: 850nm/ 0-550m Single-mode: 1310nm/ 0-40km, 1550nm/ 0-120km
Functional Switch	E : long-distance and VLAN isolation function (Default: OFF, Use:ON), After opening, the transmission rate of ports 1-8 is 10M to achieve 250 meters transmission.
Chip Parameter	
Network Protocol	IEEE802.3 10BASE-T, IEEE802.3i 10Base-T IEEE802.3u 100Base-TX, IEEE802.3ab 1000Base-T,IEEE802.3z 1000Base-X ,IEEE802.3x
Forwarding Mode	Store and Forward(Full Wire Speed)
Switching Capacity	7.6Gbps (Non-blocking)
Forwarding Rate@64byte	5.65Mpps
MAC	2K
Buffer Memory	2M
Jumbo Frame	9.2K
LED Indicator	Power: PWR (Green), Network: Link (Green), PoE: PoE (Red), Functional switch: EXTEND (Green)
PoE & Power Supply	
PoE Port	Port 1 to 8 @ IEEE802.3af/at
Power Supply Pin	Default 1/2(+) 3/6(-),optional 4/5(+), 7/8(-)
Max Power Per Port	30W, IEEE802.3af/at
Total PWR / Input Voltage	120W/ (AC100-240V)
Power Consumption	Standby <5W, Full load <120W
Power Supply	Built-in power supply, AC100~240V 50-60Hz 2.2A

Physical Parameter	
Operation TEMP / Humidity	-20~+55°C, 5%~90% RH Non condensing
Storage TEMP / Humidity	-40~+80°C, 5%~95% RH Non condensing
Dimension (L*W*H)	200*130*40mm
Net /Gross Weight	<0.8kg / <1.2kg
Installation	Desktop, Wall-mounted
Certification & Warranty	
Lightning Protection	Lightning protection: 4KV 8/20us, Protection level: IP30
Certification	CCC, CE mark, commercial, CE/LVD EN62368-1, FCC Part 15 Class B, RoHS
Warranty	1 year, lifelong maintenance.

Dimension



Application



Ordering Information

Model	Description	Power Supply
GWS-1108PFD	Unmanaged PoE switch with 8*10/100M RJ45 ports, 2*10/100/1000M Base-T uplink RJ45 ports and 1*1000M Base-X uplink SFP ports. Port 1-8 can support IEEE802.3af/at PoE standard. The POE watchdog function is turned on by default(automatically restart PoE to realize network self-healing), switch the functional switch, ports 1-8 rate is 10M/250 meters transmission and built-in power supply.	52V/120W

Note: Default does not include mounting ears. If need to configure it, need to purchase it separately.

Packing List

Packing List	CONTENT	QTY	UNIT
	11-port Gigabit Uplink PoE Switch	1	SET
	AC Power Line	1	PC
	User Guide	1	PC
	Warranty Card	1	PC

Contact Us



Tel: 0086-755-33376606

Fax: 0086-755-33376608

WeChat: HZGWS-PoE

Email: h zgws@h zgws.com

Skype: [h zgws@h zgws.com](https://www.skype.com/people/hzgws@h zgws.com)

Website: www.hzgws.com

Address: Building 3, Phase II, Xinghe Artificial Intelligence Industrial Park, No.333 Zhongkai 6th Road, Chenjiang Street, Zhongkai High-tech Zone, Huizhou

